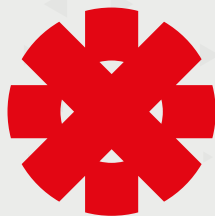


MANUAL

TECHNICAL & SERVICES FACILITIES



NSG2026 Thessaloniki



EXPOSYSTEM
WE KNOW HOW

THE PRICELIST IS VALID FOR EVENTS ORGANIZED IN TIF - HELEXPO



Benchmark in Modern Exhibitions

EXPOSYSTEM's technical support to exhibitions, conferences and events includes a great number of quality services, covers all exhibition needs and secures the smooth running of every event - during its preparation/construction, operation and dismantling.

The growing needs of both organizers and participants in this area have led EXPOSYSTEM's personnel to the implementation of a highly successful, integrated management system, which meets all the needs of their customers and offers high return on their investments and high quality services at the right time.

Advantages

- > Commitment to the exhibition & conference needs
- > Technical expertise
- > Highly specialized and experienced personnel
- > Integrated portfolio of exhibition services
- > Use of modern technical infrastructure and design software programs
- > Excellent knowledge of the exhibition venues due to its exclusive partnership with THESSALONIKI EXHIBITION CENTER, ATHENS METROPOLITAN EXPO and MEC

Services

- > Standard and upgraded types of shell scheme stands (OCTANORM system)
- > Furniture and exhibition equipment
- > Floors and carpets
- > Electrical devices and services
- > Digital printings for area branding & signage
- > Audiovisual equipment
- > Rigging services
- > Construction of customized stands
- > IT services - Internet connections
- > Lift services and logistics (upon request)
- > Security services
- > Cleaning services
- > Water-supply and drainage services
- > Graphic design services
- > Promotional and advertising materials
- > Promotional groups and services
- > Photoshoots - Video Recordings - Live Streaming

EXPOSYSTEM'S customer-oriented philosophy, focus on the exhibitors' needs, expertise and know-how make it a significant contributor to the success of your participation to any exhibition or event.





TIF
HELEXPO

Thessaloniki International Exhibition & Congress Center

In the heart of the city and its entrepreneurial activities

Thessaloniki International Exhibition and Congress Center of TIF - HELEXPO is located in the center of Thessaloniki, which is easily accessible from every part of the city.

Thanks to its fully equipped and state-of-the-art facilities, it exceeds the European standards and remains the leading Greek exhibition organizer from 1926 till now.

As it can be found in the city's historical district, right next to the Byzantine and Archaeological Museum, the International Exhibition Center of TIF - HELEXPO attracts a large number of both exhibitors and visitors interested in a great variety of entrepreneurial activities.



The Exhibition Center covers a total area of 180,000m² and consists of 17 pavilions of 62,000m². The latter fulfill the needs of any event due to their functional design and connectivity.

The Center's venues also include equipped Congress Centers, Parking Places, Sports and Entertainment Facilities, Dining Areas, Citizen-Service Centers, Museums, Banks and Offices of Development/Aid

Agencies.

Thus; Thessaloniki International Exhibition and Congress Center is well-known for its provision of high quality services. Structured around the axis of hospitality, entertainment and exhibitors'/visitors' service, it meets the requirements of all exhibitions, congresses, conferences and cultural events.





Preparation of Participation

Customer service

Thessaloniki International Exhibition & Congress Center
Pavillon 12, 1st floor
154, Egnatia st. | 546 36 THESSALONIKI
T: +30 2310253168 | +30 6983 589220
email: ordersthes@exposystem.gr

Remarks on the Price-List

The pricelist is valid for events organized in TIF - Helexpo.

For your order to be valid, you should fill out the
Order Form with pricing information,
stamp & signature and settle your account no later than
20 days prior to the event

The Order Form and payment slip should be sent
via **email** | ordersthes@exposystem.gr

BANK DETAILS

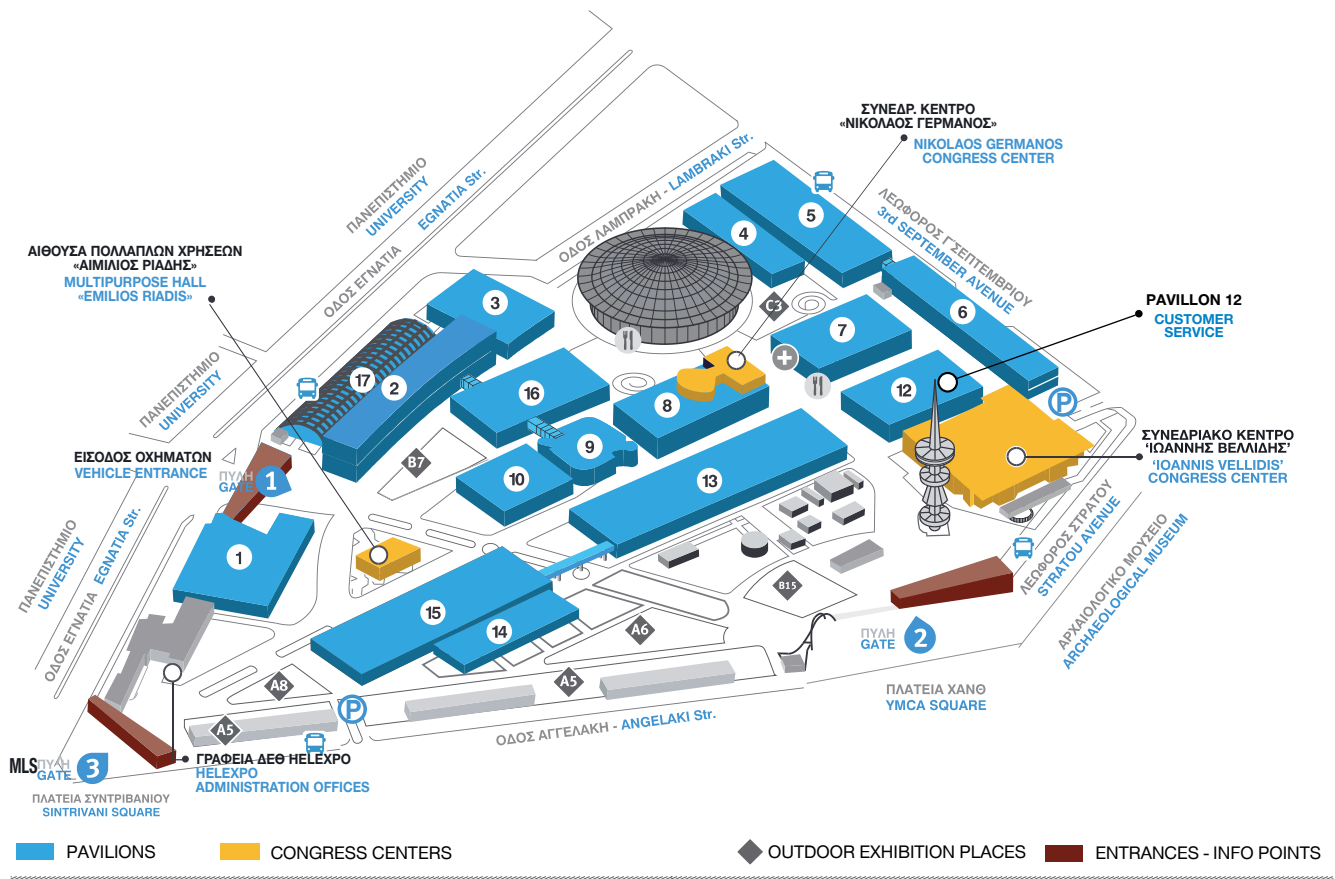
NATIONAL BANK OF GREECE: SWIFT BIC CODE: ETHNGRAA
IBAN Number: GR13 0110 8400 0000 8404 7023 795

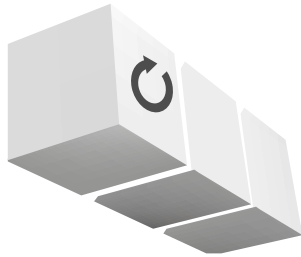
PIRAEUS BANK: SWIFT BIC CODE: PIRBGRAA
IBAN Number: GR62 0172 2310 0052 3107 2349 059

ALPHA BANK: SWIFT BIC CODE: CRBAGRAA
IBAN Number: GR51 0140 4120 4120 0200 2002 276

Beneficiary name: Exposystem S.A.

General Plan





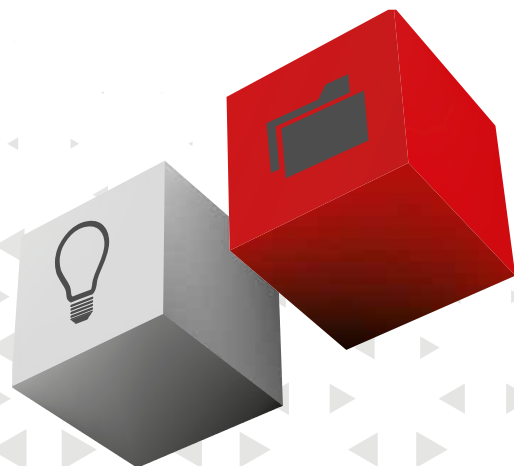
- > At his arrival at the International Exhibition & Congress Center of Thessaloniki, the exhibitor or his authorized representative receives his respective exhibition space from the Floor Manager of the Hall.
- > The exhibitor holds the full responsibility for his exhibits (including machinery-exhibits) and thus; he must take all the necessary safety measures regarding static and operation.
- > The maximum height of the Stands is determined by the Operation Rules of the exhibition; nevertheless, the minimum distance between the highest point of the construction and the building's false ceiling should not be less than 50 cm.
- > Exhibition area constructions must be aesthetically pleasing on both sides. In cases of constructions that are higher than 2.5 m, their back sides, which are adjacent to other exhibitor's Stands, should be painted white.
- > Fuse boxes, fire hydrants, water supply wells, electricity supply installations, air conditioning controls, etc. must not be covered and must be easily accessible in case of necessity, malfunction or new connections.
- > All decoration and other works should have been completed in time, as per organizer's instructions.

Not Permitted

- > Cutting wood or plasterboards as well as using power-tools and equipment, such as spray paint compressors, anywhere inside the Exhibition Center. Such operations are only permitted outdoors.
- > Concrete constructions, excavations and any kind of drilling and nailing (nails, staples, pins, etc.) on the floor, the pillars, the ceiling and also any other structural parts of the building. The drywalls' friction should be completed with the use of a special absorbent machine while painting with sprays and pistols of suitable cross-section in order to avoid leaving unwanted traces.
- > Drilling/nailing and painting of panels and aluminum frames (for suspending purposes, you may request special hooks from the Exhibitors' Service Desk)
- > Rigging any item from the ceiling or any other structural part of the halls, without any prior approval, requirement or order (Rigging Services).
- > Covering walls and corridors.
- > Any intervention to the electrical installations without prior approval, requirement or order (Electrical Equipment Services)
- > Should you object or disagree to any service provided by EXPOSYSTEM, please inform our Customer Care Department by the end of the exhibition's opening day.
- > Our equipment and services are only provided during the official duration of the exhibition.
- > Power supply to stands whose electrical installations have been completed by the exhibitors' partners and electricians of the exhibitors will only become available after the latter's submission of the necessary documents: the electrical plan and the order form stating the requested power in KW. (Order Form - p. 26)
- > The rigging of any equipment or object from the lighting, plumbing, fire protection, ventilation and air-conditioning networks or from any other point of the Exhibition Center's ceiling, pillars, and walls.

Breach of any of the above regulations leading to any damage shall entail its full restoration and compensation - determined by EXPOSYSTEM- will be claimed.

- > After the end of the exhibition, exhibitors first have to settle any financial obligations with EXPOSYSTEM. Secondly, they have to remove all exhibits and decoration materials used during the exhibition within the time limit specified by the Organizers. Should the exhibitors leave any construction materials on site, an additional removal cost will be charged.
- > EXPOSYSTEM bears no responsibility in case of loss, damage, etc. of exhibits during the preparation, operation and dismantling of the exhibition. Security and guarding services are exclusively related to the Exhibition Center's building installations. Therefore; you are kindly requested to remove all small exhibits or personal belongings (e.g. laptops, computers, TV sets) in the evening of the exhibition's final day.



Standard Booths

Description

- > Aluminum, silver colored octanorm frame, with columns, horizontal girders and filling material of white colored melamine - 2.5 m. height
- > 30 cm fascia with exhibitor's logo / company name / stand number (1.52 x 0.20 m) at the Stand's open sides (2.20 m in height), with aluminum girders and filling material of flimsy (perforated) PVC
- > Electrical installation with 1 socket 500w

Carpet and furniture are not included in the standard booth package.

You may place your order by completing the relevant forms on the corresponding pages.

* indicative design

1 open-sided Stand



Standard Booths

Photorealistic Virtual Models

* indicative designs

2 open-sided Stand



3 open-sided Stand



Standard Booths

Photorealistic Virtual Models

* indicative designs

4 open-sided Stand

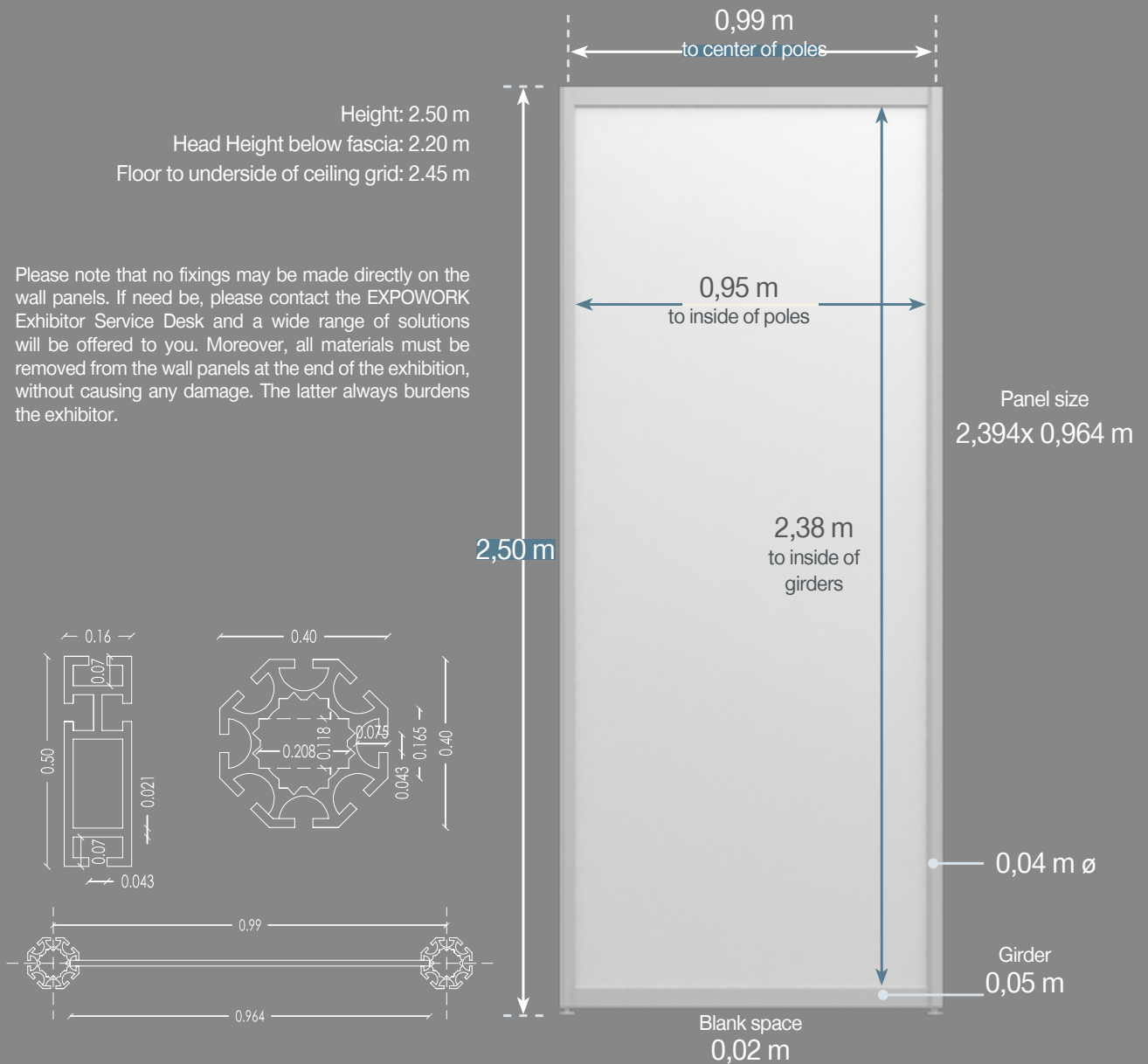


Standard Shell Scheme Stands

Dimensions of a Standard Shell Scheme Stand

Height: 2.50 m
Head Height below fascia: 2.20 m
Floor to underside of ceiling grid: 2.45 m

Please note that no fixings may be made directly on the wall panels. If need be, please contact the EXPOWORK Exhibitor Service Desk and a wide range of solutions will be offered to you. Moreover, all materials must be removed from the wall panels at the end of the exhibition, without causing any damage. The latter always burdens the exhibitor.



Standard Shell Scheme Stands

Clarifications

- > No third parties are permitted to make any electrical installations or constructions within the Type 2 exhibition stands. However; the exhibitor can ask for extra lighting (if need be) by completing and filing the relevant Order Form (*Order Form p. 26*)
- > An electrical switch board, plugs and lightings are necessarily positioned within the stand and cannot be removed or replaced. If you wish their being placed in a particular position, you need to send a plan of your Booth no later than 20 days prior to the event.
- > Orders that concern electrical installation or/and constructions (e.g. *installation or connection of floodlights, storage areas, lighting grid systems*) cannot be executed without a relevant plan (*Electrical Equipment p. 26, 27, 29 & 31*). The latter must be submitted no later than 20 days prior to the event.
- > Please note that no fixings may be made directly on the wall panels or the exhibits/ furniture. If need be, please contact the EXPOSYSTEM Exhibitor Service Desk and a wide range of solutions will be offered to you. Moreover, all materials must be removed from the wall panels at the end of the exhibition, without causing any damage. The latter always burdens the exhibitor.
- > The construction materials (*necessary for storage rooms, offices, etc.*) and the exhibits/ furniture can also be placed outdoors, as long as the latter are roofed and protected from extreme weather (e.g. *heavy rain, wind*).
- > Any alteration to the carpet color is subject to our products' availability -provided that your order is completed on time- (*Order Form p. 47*)





Electrical equipment

Construction materials

Furniture

Info desks – Show cases

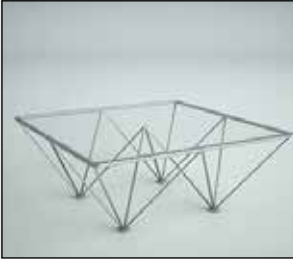
Flooring

Signs

Printings

Audio visual

NIDO glass table



Dimensions 0.80X0.80m

CODE N°: 030401001Y

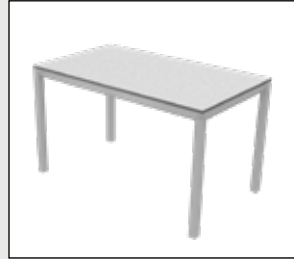
Square nickel frame table with glass top



Dimensions 0.50X0.50m

CODE N°: 030401002Y

Metal frame desk



Dimensions 1.20X0.70X0.72m

CODE N°: 030401015Y

Square metal frame desk



Dimensions 0.50X0.50X0.40m

CODE N°: 030401006Y

Square metal frame table with natural wooden top



Dimensions 0.50X0.50X0.40m

CODE N°: 030401007Y

Rectangular metal frame table



Dimensions 0.90X0.50X0.40m

CODE N°:030401004Y

Wooden round table



Dimensions 0.70X0.75m

CODE N°: 030401032Y

Round white lacquer table



Dimensions 0.70X0.75m

CODE N°: 030401033Y

Glass round table



Dimensions 0.90X0.71m

CODE N°: 030401035Y

Round white lacquer tall table



Dimensions 0.70X1.10m

CODE N°:030401027Y

Round glass tall table



Dimensions Φ 0.60m

CODE N°: 030401026Y

Big RICO metal frame table with glass top



Dimensions Φ 0.50X0.45m

CODE N°: 030401045Y

Small RICO metal frame table with glass top



Dimensions Φ 0.45X0.40m

CODE N°: 030401046Y



furniture

Folding table



Dimensions 1.80X0.70X0.75m

CODE N°: 030401012Y

Folding table



Dimensions 2.40X0.70X0.76m

CODE N°: 030401013Y

Desk



Dimensions 1.20X0.70X0.72m

CODE N°: 030301004Y

Wooden desk



Dimensions 1.40X0.70X0.72m

CODE N°: 030301002Y



furniture

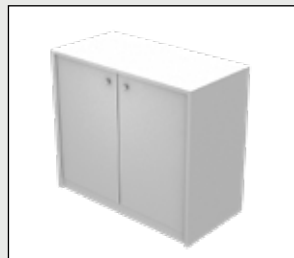
Glass congress table



Dimensions 1.50X0.80X0.75m

CODE N°:030401008Y

Filing cabinet with one shelf and a lock



Dimensions 0.80X0.70X0.38m

CODE N°: 030701003Y



CODE N°: 030701004Y

Wooden closet with two shelves and a lock



Dimensions 0.80X1.25X0.45m

CODE N°: 030702001Y

Revolving chair



Color black

CODE N°: 030203010Y

Guest chair



Color black

CODE N°: 030202022Y

Isis metal frame armchair



BLUE

CODE N°: 030202009Y

RED

CODE N°: 030202008Y

ECRU

CODE N°: 030202007Y

Grey polyamide metal frame chair



Color grey

CODE N°: 030201021Y

Folding chair



Color white

CODE N°: 030201009Y

Bunny metal frame armchair



Color white

CODE N°: 030202003Y

Portoghese wooden chair



Inox frame with
brech top

CODE N°: 030202019Y

Lilly chair



Color white

CODE N°: 030201013Y

Campus chair



Color black

CODE N°: 030201004Y

Campus chair



Color ecrú

CODE N°: 030201003Y

Eames chair



Color ecrú

CODE N°: 030201007Y

Eames chair



Color black

CODE N°: 030201008Y

Eames armchair



Color white

CODE N°: 030202006Y

Boga armchair



Color grey

CODE N°: 030202026Y

Style armchair



Color white

CODE N°: 030202025Y



Genova two-seater sofa



Dimensions 1.30X0.73X0.71m

BLACK CODE N°: 030205002Y
WHITE CODE N°:030205001Y

Zeta stool



Color black

CODE N°: 030204027Y

Jodi stool



TAN CODE N°: 030204020Y
BLUE CODE N°: 030204019Y

Bobbo stool



Color white

CODE N°: 030204009Y

Bobbo stool



Color black

CODE N°: 030204010Y

Ufo stool



Color blue

CODE N°: 030204026Y

Jodi chair



Color black

CODE N°: 030201011Y

Eames stool



Color white

CODE N°: 030204013Y

Eames stool



Color black

CODE N°: 030204014Y

Relix stool



BLACK CODE N°: 030204005Y
WHITE CODE N°: 030204033Y

Leather Poof



Color white

CODE N°: 030204001Y



furniture

Shelf



Wooden Shelf
Dimensions 1.10X0.25m
CODE N°: 030502015Y

Shelf




Glass Shelf
Dimensions 1.10X0.25m
CODE N°: 030502010Y

Canted Shelf



Dimensions 1.10X0.30m
CODE N°: 030502014Y

Bookcase 4 shelves

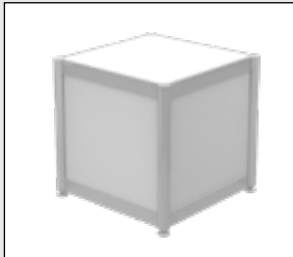


Dimensions 1.03X0.33X2.50m
CODE N°: 030502023Y



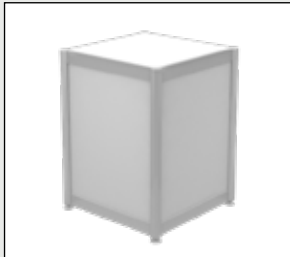
info desks
show cases

Small Cube



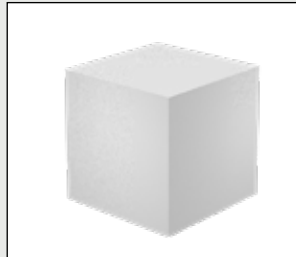
Height 0.60m
CODE N°: 030501003Y

Large Cube



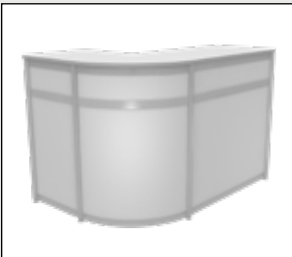
Dimensions ύψους 0.80m
CODE N°: 030501002Y

Wooden Cube




Height 0.45m
CODE N°: 030501004Y

Corner Info-desk




Dimensions 1.00X3.00m
CODE N°: 030107004Y

TV Stand



Dimensions 0.964X0.93m
CODE N°: 030107003Y

Round Info-desk



Dimensions 1.53X0.93m
CODE N°: 030107005Y

Floor Display Case



Dimensions 1.00X0.92m

CODE N°: 030604002Y

Jewellery Show Case



Dimensions 1.00X2.50m

CODE N°: 030604010Y

Display Case



Dimensions 1.00X0.50X2.20m

CODE N°: 030604013Y

Display Case with light



Dimensions 0.50x0.50x1.80m

CODE N°: 030602006Y

Oval Display Case with light



Dimensions 0.80x0.35x2.00m

CODE N°: 030601001Y

White Lacquer Info-desk



Dimensions 0.70X0.50X1.10m

CODE N°: 030104003Y

Info ITB white



Dimensions 1.20x0.50x1.05m

CODE N°: 030104001Y

White Info with cabinet and shelf



Dimensions 1.20x0.50x1.00m

CODE N°: 030110006Y

Wooden Info (marble)



Dimensions 1.20X0.55X1.00m

CODE N°: 030106003Y

Info with lighting surface



Dimensions 1.10x0.60x0.95m

CODE N°: 070202030Y

Info Elpis OSB



Dimensions 1.03x0.53x1.00m

CODE N°: 030102001Y



info desks
show cases

Brochure & Leaflet Holder



White with 3 A4 holders

CODE N°: 039905006Y

Coat Rack



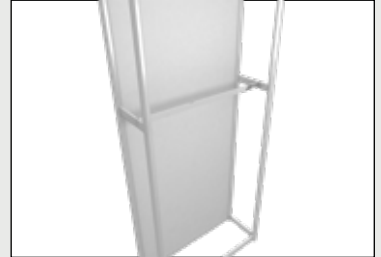
CODE N°: 039901002Y

Coat Rack placed on a construction



CODE N°: 039901001Y

Extra rod for Construction-embedded Racks



CODE N°: 020600004Y

Refrigerator



Dimensions 0.60X0.60X0.85m

CODE N°: 039902004Y

Kitchen Sink



Dimensions 0.60X0.80X0.75m

CODE N°: 039904001Y

Fascia Board with Exhibitor's Name



Dimensions 1.52X0.20m

CODE N°: 070203001Y

Queue Barriers (with straps)



CODE N°: 039903002Y



other
equipment



Carpet (nylon film cover)



Beige

CODE N°: 010301052Y

Carpet (nylon film cover)



Red

CODE N°: 010301050Y

Carpet (nylon film cover)



Blue

CODE N°: 010301043Y

Carpet (nylon film cover)



Bordeaux

CODE N°: 010301057Y

Carpet (nylon film cover)



Black

CODE N°: 010301049Y

Carpet (nylon film cover)



Light Grey

CODE N°: 010301046Y

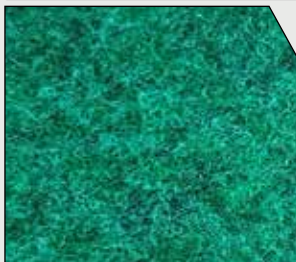
Carpet (nylon film cover)



Dark Grey

CODE N°: 010301039Y

Carpet (nylon film cover)



Green

CODE N°: 010301054Y

Carpet (nylon film cover)



White

CODE N°: 010301056Y

Carpet (nylon film cover)



Fuchsia

CODE N°: 010301042Y



Adhesive Cut Lettering



CODE N° 050330039Y

Vinyl Banner



Vinyl Banner with holding bars

CODE N° 050310036Y

Roll up



Dimensions 0.80X2.00m

CODE N° 050303001Y

Dimensions 1.20X2.00m.

CODE N° 050303003Y

Vinyl Banner placed on wooden canvas



CODE N°050310007Y

Vinyl Banner embedded with metal rings



CODE N° 050310033Y

Printing on foam (kapa)



CODE N° 050301021Y

Beach flags



Dimensions 60X200

CODE N° 050399005Y

Dimensions 85X400

CODE N° 050399009Y

Stand's Adhesive Cut Vinyl



CODE N° 050330038Y



signs-printings

Led wall



Ledwall P2.6 - 2.9 INDOOR

CODE N°: ΚΩΔ.: 050102020Y



audio visual

TV



40 - 43" / 48 - 50" / 55" / 60" / 75" / 84 - 86'

CODE N°: 050101015Y / 050101019Y / 050101023Y / 050101031Y / 050101035Y / 050101039Y



To be sent via e-mail to: ordersthes@exposystem.gr

Surname:

First Name:

ID Number:

Company Name:

Address:

VAT Number:

Telephone:

Exhibition/Event:

No of Pavilion/Stand:

Date:

From (Preparations Day):

Till (Decommissioning Day):

Acknowledging full responsibility and being aware of the legal sanctions, I do solemnly declare that:

1. All the information mentioned above is true.
2. In case of construction of a two-storey stand, I will submit a Static Study Plan.
3. I have completed my Stand's construction by my own means and its height does not exceed 3 meters.
4. I follow strictly all current regulations and legislation. All the necessary health and safety measures have been taken, in order to avoid accidents at my staff's or other third parties' expense and to prevent any damage.
5. I personally guarantee that my Stand's construction meets all the technical, safety and static requirements. Furthermore, I declare that I carry full responsibility -both criminal and civil- for (a) any possible bodily injury, (b) any labor or other accident and (c) any damage that may be caused to third parties or this construction, respectively.
6. I undertake the responsibility to remove all construction materials from the Pavilion, after the exhibition's closing -at the predetermined time specified by the organizers- .

(District) , _____ , _____ / _____ /20
(Stamp)

Signature _____

*This declaration needs to be filed and submitted to EXPOSYSTEM Technical Company.



EXPOSYSTEM

**WE
KNOW
HOW**



EXPOSYSTEM
WE KNOW HOW

154, EGNATIA str. | 546 36 THESSALONIKI

PAVILLION 12 (semi-floor)

T +30 2310 253168 | +30 6983 589220

email: ordersthes@exposystem.gr